

# Technical information

## Boxer 30



### Characteristics

- Supplied with one sealing bar as standard (front)
- Double seal as standard (two sealing wires).  
Optional at no extra cost: Cut-off/Wide seal
- Easy-to-remove sealing bar for easy cleaning.
- Pump maintenance and cleaning program.
- Digital time control with ten-program memory as standard
- Soft Air as standard to protect the product and vacuum bag.
- Stainless steel casing and transparent lid
- Supplied with two insert plates for a faster cycle and good product positioning.

### Options

- Sensor control
- Advanced Control System (ACS)
- Liquid control
- Gas flush

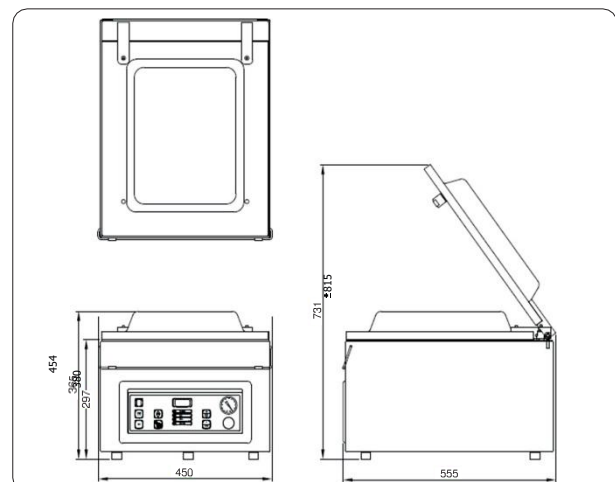
### Accessories

- Thermal label printer (only in combination with ACS)
- Inclined insert plate (for liquids and powders)
- External adapter
- Maintenance set for standard maintenance
- Trolley with shelves



Specs	Boxer 30
Chamber LxWxH (mm)	370x350x150
Machine LxWxH (mm)	555x450x365
Voltage	230V-1-50Hz 100V-1-50/60Hz 110/115V-1-60Hz 220V-1-60Hz
Pump capacity 50 Hz/60 Hz (m3)	8 / 10
Machine cycle 50 Hz/60 Hz (sec.)	19-50 / 17-44
Power (kW)	0,4 - 0,5
Weight (kg)	46
Net seal length (mm)	345
Standard sealing bar configuration	

### Dimensions mm



# Technical information

## Boxer 35



### Characteristics

- Supplied with one sealing bar as standard (front)
- Double seal as standard (two sealing wires).  
Optional at no extra cost: Cut-off/Wide seal
- Easy-to-remove sealing bar for easy cleaning.
- Pump maintenance and cleaning program.
- Digital time control with ten-program memory as standard
- Soft Air as standard to protect the product and vacuum bag.
- Stainless steel casing and transparent lid
- Supplied with two insert plates for a faster cycle and good product positioning.

### Options

- 1-2 Cut-off seal
- Sensor control
- Advanced Control System (ACS)
- Liquid control
- Gas flush

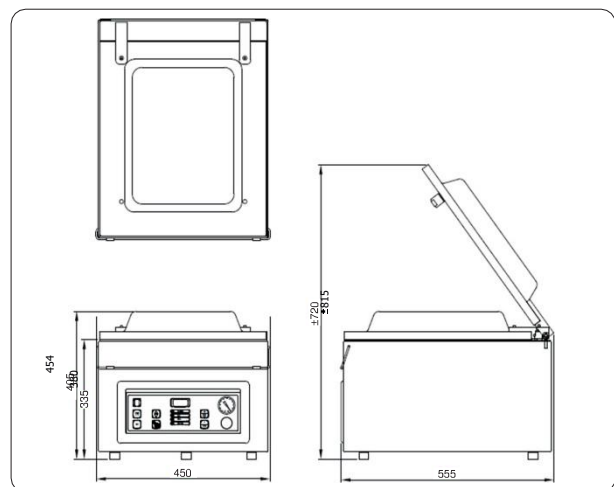
### Accessories

- Thermal label printer (only in combination with ACS)
- Inclined insert plate (for liquids and powders)
- External adapter
- Maintenance set for standard maintenance
- Trolley with shelves



Specs	Boxer 35
Chamber LxWxH (mm)	370x350x150
Machine LxWxH (mm)	555x450x405
Voltage	230V-1-50Hz 100V-1-50/60Hz 110/115V-1-60Hz 220V-1-60Hz
Pump capacity 50 Hz/60 Hz (m3)	16 / 19
Machine cycle 50 Hz/60 Hz (sec.)	12-32 / 11-28
Power (kW)	0,6
Weight (kg)	52
Net seal length (mm)	345
Standard sealing bar configuration	

### Dimensions mm



**Henkelman Aust**  
Unit 3,14-16  
Cairns Street, Loganholme  
QLD Australia 4129  
(07) 3806 5972

**Sales/Service/Tech Support**  
[sales@henkelman.com.au](mailto:sales@henkelman.com.au)  
Office Hours: 8am – 4pm  
Open Monday - Friday

# Technical information

## Boxer 42



### Characteristics

- Supplied with one sealing bar as standard (front)
- Double seal as standard (two sealing wires).  
Optional at no extra cost: Cut-off/Wide seal
- Easy-to-remove sealing bar for easy cleaning.
- Pump maintenance and cleaning program.
- Digital time control with ten-program memory as standard
- Soft Air as standard to protect the product and vacuum bag.
- Stainless steel casing and transparent lid
- Supplied with three insert plates for a faster cycle and good product positioning.

### Options

- Second sealing bar
- 1-2 Cut-off seal
- Sensor control
- Advanced Control System (ACS)
- Liquid control
- Gas flush

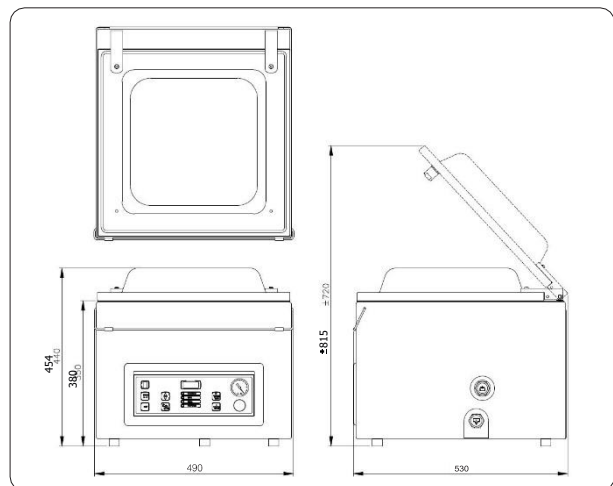
### Accessories

- Thermal label printer (only in combination with ACS)
- Inclined insert plate (for liquids and powders)
- External adapter
- Maintenance set for standard maintenance
- Trolley with shelves



Specs	Boxer 42	
Chamber LxWxH (mm)	370x420x180	
Machine LxWxH (mm)	530x490x440	
Voltage	230V-1-50Hz 100V-1-50/60Hz 110/115V-1-60Hz 220V-1-60Hz	
Pump capacity 50 Hz/60 Hz (m3)	21 / 25	
Machine cycle 50 Hz/60 Hz (sec.)	12-33 / 11-29	
Power (kW)	0,8 - 1,0	
Weight (kg)	64	
Net seal length (mm)	410	
Sealing bar configuration - standard - option	standard 	option 

### Dimensions mm



**Henkelman Aust**  
Unit 3,14-16  
Cairns Street, Loganholme  
QLD Australia 4129  
(07) 3806 5972

**Sales/Service/Tech Support**  
[sales@henkelman.com.au](mailto:sales@henkelman.com.au)  
Office Hours: 8am – 4pm  
Open Monday - Friday

# Technical information

## Boxer 42XL



### Characteristics

- Supplied with one sealing bar as standard (front)
- Double seal as standard (two sealing wires).  
Optional at no extra cost: Cut-off/Wide seal
- Easy-to-remove sealing bar for easy cleaning.
- Pump maintenance and cleaning program.
- Digital time control with ten-program memory as standard
- Soft Air as standard to protect the product and vacuum bag.
- Stainless steel casing and transparent lid
- Supplied with three insert plates for a faster cycle and good product positioning.

### Options

- Second sealing bar
- 1-2 Cut-off seal
- Sensor control
- Advanced Control System (ACS)
- Liquid control
- Gas flush
- Bi-Active seal

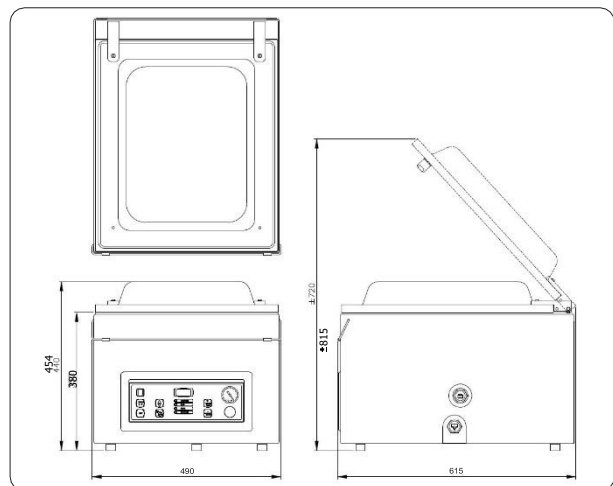
### Accessories

- Thermal label printer (only in combination with ACS)
- Inclined insert plate (for liquids and powders)
- External adapter
- Maintenance set for standard maintenance
- Trolley with shelves



Specs	Boxer 42XL	
Chamber LxWxH (mm)	460x420x180	
Machine LxWxH (mm)	615x490x440	
Voltage	230V-1-50Hz 100V-1-50/60Hz 110/115V-1-60Hz 220V-1-60Hz	
Pump capacity 50 Hz/60 Hz (m3)	21 / 25	
Machine cycle 50 Hz/60 Hz (sec.)	13-35 / 11 - 31	
Power (kW)	0,8 - 1,0	
Weight (kg)	72	
Net seal length (mm)	410	
Sealing bar configuration - standard - option	standard 	option 

### Dimensions mm



**Henkelman Aust**  
 Unit 3,14-16  
 Cairns Street, Loganholme  
 QLD Australia 4129  
 (07) 3806 5972

**Sales/Service/Tech Support**  
[sales@henkelman.com.au](mailto:sales@henkelman.com.au)  
 Office Hours: 8am – 4pm  
 Open Monday - Friday

# Technical information

## Boxer 52



### Characteristics

- Supplied with two sealing bars as standard (left/right)
- Double seal as standard (two sealing wires). Optional at no extra cost: Cut-off/Wide seal
- Easy-to-remove sealing bar for easy cleaning.
- Pump maintenance and cleaning program.
- Digital time control with ten-program memory as standard
- Soft Air as standard to protect the product and vacuum bag.
- Stainless steel casing and transparent lid
- Supplied with two insert plates for a faster cycle and good product positioning.

### Options

- 1-2 Cut-off seal
- Sensor control
- Advanced Control System (ACS)
- Liquid control
- Gas flush

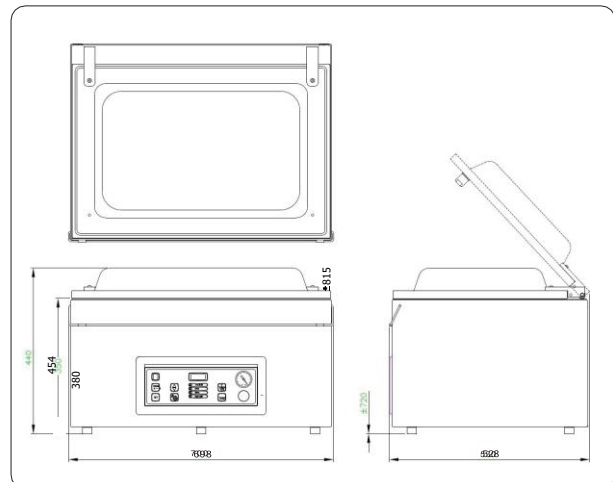
### Accessories

- Thermal label printer (only in combination with ACS)
- Inclined insert plate (for liquids and powders)
- External adapter
- Maintenance set for standard maintenance
- Trolley with shelves



Specs	Boxer 52
Chamber LxWxH (mm)	410x520x180
Machine LxWxH (mm)	530x700x440
Voltage	230V-1-50Hz 100V-1-50/60Hz 110/115V-1-60Hz 220V-1-60Hz
Pump capacity 50 Hz/60 Hz (m3)	21 / 25
Machine cycle 50 Hz/60 Hz (sec.)	14-39 / 12 - 34
Power (kW)	0,8 - 1,0
Weight (kg)	81
Net seal length (mm)	2 x 405
Standard sealing bar configuration	

### Dimensions mm



# Technical information

## Boxer 62



### Characteristics

- Supplied with one sealing bar as standard (front)
- Double seal as standard (two sealing wires).  
Optional at no extra cost: Cut-off/Wide seal
- Easy-to-remove sealing bar for easy cleaning.
- Pump maintenance and cleaning program.
- Digital time control with ten-program memory as standard
- Soft Air as standard to protect the product and vacuum bag.
- Stainless steel casing and transparent lid
- Supplied with two insert plates for a faster cycle and good product positioning.

### Options

- 1-2 Cut-off seal
- Sensor control
- Advanced Control System (ACS)
- Liquid control
- Gas flush

### Accessories

- Thermal label printer (only in combination with ACS)
- Inclined insert plate (for liquids and powders)
- External adapter
- Maintenance set
- Trolley with shelves



Specs	Boxer 62
Chamber LxWxH (mm)	360x620x180
Machine LxWxH (mm)	530x700x440
Voltage	230V-1-50Hz 100V-1-50/60Hz 110/115V-1-60Hz 220V-1-60Hz
Pump capacity 50 Hz/60 Hz (m3)	21 / 25
Machine cycle 50 Hz/60 Hz (sec.)	14-39 / 12 - 34
Power (kW)	0,6 - 1,0
Weight (kg)	81
Net seal length (mm)	613
Standard sealing bar configuration	

### Dimensions mm

