

# Technical information

## Jumbo 30



### Characteristics

- Supplied with one sealing bar as standard (front)
- Double seal as standard (two sealing wires).  
Optional at no extra cost: Cut-off/Wide seal
- Easy-to-remove sealing bar for easy cleaning.
- Pump maintenance and cleaning program.
- Digital time control with single program panel as standard
- Stainless steel casing and transparent lid
- Supplied with two insert plates for a faster cycle and good product positioning.

### Options

- Sensor control

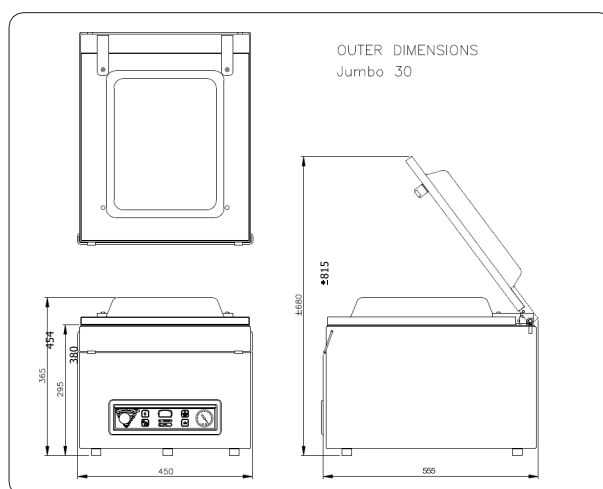
### Accessories

- Inclined insert plate (for liquids and powders)
- External adapter
- Maintenance set
- Trolley with shelves



Specs	Jumbo 30
Chamber LxWxH (mm)	370x350x150
Machine LxWxH (mm)	555x450x365
Voltage	230V-1-50Hz 100V-1-50/60Hz 110/115V-1-60Hz 220V-1-60Hz
Pump capacity 50 Hz/60 Hz (m3)	8 / 10
Machine cycle 50 Hz/60 Hz (sec.)	19-50 / 17-44
Power (kW)	0,4 - 0,5
Weight (kg)	44
Net seal length (mm)	345
Sealing bar configuration standard	

### Dimensions mm



**Henkelman Aust**  
Unit 3,14-16  
Cairns Street, Loganholme  
QLD Australia 4129  
(07) 3806 5972

**Sales/Service/Tech Support**  
[sales@henkelman.com.au](mailto:sales@henkelman.com.au)  
Office Hours: 8am – 4pm  
Open Monday - Friday

# Technical information

## Jumbo 35



### Characteristics

- Supplied with one sealing bar as standard (front)
- Double seal as standard (two sealing wires).  
Optional at no extra cost: Cut-off/Wide seal
- Easy-to-remove sealing bar for easy cleaning.
- Pump maintenance and cleaning program.
- Digital time control with single program panel as standard
- Stainless steel casing and transparent lid
- Supplied with two insert plates for a faster cycle and good product positioning.

### Options

- Sensor control

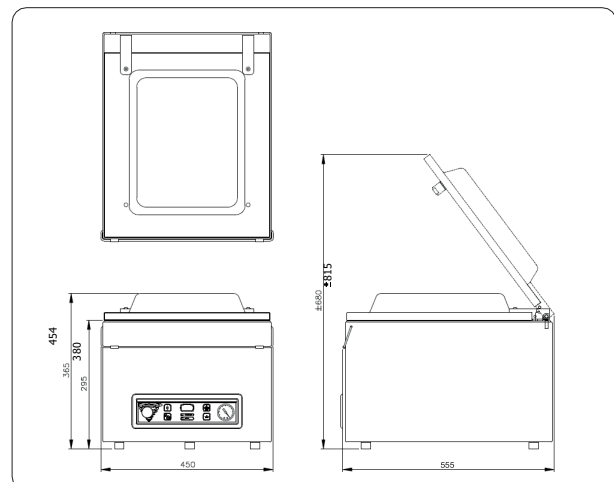
### Accessories

- Inclined insert plate (for liquids and powders)
- External adapter
- Maintenance set
- Trolley with shelves



Specs	Jumbo 35
Chamber LxWxH (mm)	370x350x150
Machine LxWxH (mm)	555x450x405
Voltage	230V-1-50Hz 100V-1-50/60Hz 110/115V-1-60Hz 220V-1-60Hz
Pump capacity 50 Hz/60 Hz (m3)	16 / 19
Machine cycle 50 Hz/60 Hz (sec.)	12-32 / 11-28
Power (kW)	0,6
Weight (kg)	51
Net seal length (mm)	345
Sealing bar configuration standard	

### Dimensions mm



**Henkelman Aus**  
Unit 3,14-16  
Cairns Street, Loganholme  
QLD Australia 4129  
(07) 3806 5972

**Sales/Service/Tech Support**  
[sales@henkelman.com.au](mailto:sales@henkelman.com.au)  
Office Hours: 8am – 4pm  
Open Monday - Friday

# Technical information

## Jumbo 42



### Characteristics

- Supplied with one sealing bar as standard (front)
- Double seal as standard (two sealing wires).  
Optional at no extra cost: Cut-off/Wide seal
- Easy-to-remove sealing bar for easy cleaning.
- Pump maintenance and cleaning program.
- Digital time control with single program panel as standard
- Stainless steel casing and transparent lid
- Supplied with two insert plates for a faster cycle and good product positioning.

### Options

- Second sealing bar (front/rear)
- Sensor control

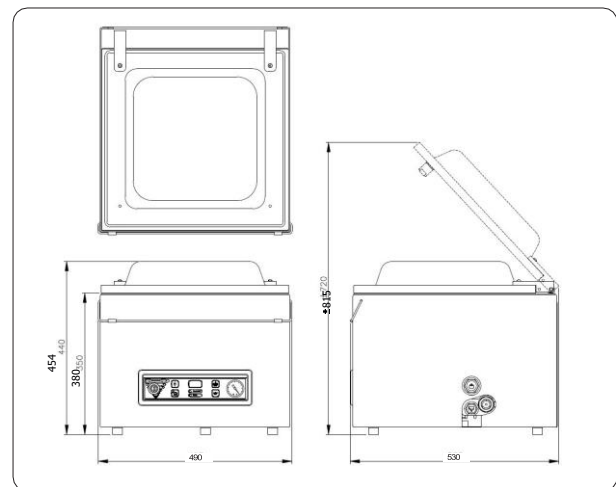
### Accessories

- Inclined insert plate (for liquids and powders)
- External adapter
- Maintenance set
- Trolley with shelves



Specs	Jumbo 42	
Chamber LxWxH (mm)	370x420x180	
Machine LxWxH (mm)	530x490x440	
Voltage	230V-1-50Hz 100V-1-50/60Hz 110/115V-1-60Hz 220V-1-60Hz	
Pump capacity 50 Hz/60 Hz (m3)	16 / 19	
Machine cycle 50 Hz/60 Hz (sec.)	13-38 / 11-33	
Power (kW)	0,6	
Weight (kg)	58	
Net seal length (mm)	410	
Sealing bar configuration - standard - option	standard 	option 

### Dimensions mm



**Henkelman Aust**  
Unit 3,14-16  
Cairns Street, Loganholme  
QLD Australia 4129  
(07) 3806 5972

**Sales/Service/Tech Support**  
[sales@henkelman.com.au](mailto:sales@henkelman.com.au)  
Office Hours: 8am – 4pm  
Open Monday - Friday

# Technical information

## Jumbo 42XL



### Characteristics

- Supplied with one sealing bar as standard (front)
- Double seal as standard (two sealing wires).  
Optional at no extra cost: Cut-off/Wide seal
- Easy-to-remove sealing bar for easy cleaning.
- Pump maintenance and cleaning program.
- Digital time control with single program panel as standard
- Stainless steel casing and transparent lid
- Supplied with two insert plates for a faster cycle and good product positioning.

### Options

- Second sealing bar (front/rear)
- Sensor control

### Accessories

- Inclined insert plate (for liquids and powders)
- External adapter
- Maintenance set
- Trolley with shelves



Specs	Jumbo 42XL	
Chamber LxWxH (mm)	460x420x180	
Machine LxWxH (mm)	615x490x440	
Voltage	230V-1-50Hz 100V-1-50/60Hz 110/115V-1-60Hz 220V-1-60Hz	
Pump capacity 50 Hz/60 Hz (m3)	16 / 19	
Machine cycle 50 Hz/60 Hz (sec.)	14-45 / 12-40	
Power (kW)	0,6	
Weight (kg)	65	
Net seal length (mm)	410	
Sealing bar configuration - standard - option	standard 	option 

### Dimensions mm

